

## Warranty

ORECK MANUFACTURING COMPANY: (ORECK gives you the following limited warranty for this product only if it was originally purchased for use, not resale, from ORECK or an ORECK Authorized Retail Dealer.)

ORECK will repair or replace, free of charge, to the original purchaser, any part which is found to be defective in material or workmanship within three (3) years of the date of purchase; 10 years on housing. This limited warranty applies to normal domestic use. Any commercial use of this product will void this limited warranty.

Parts subject to normal wear are not covered by this limited warranty.

This limited warranty does not apply to any part subjected to accident, abuse, commercial use, alteration, misuse, damage caused by fire or act of God, the use of voltages other than indicated on the serial number plate of this product or service of this product by other than ORECK or an ORECK Factory Authorized Service Center.

ORECK does not authorize any person or representative to assume or grant any other warranty obligation with the sale of this product.

ORECK's limited warranty is valid only if you retain proof of purchase from ORECK or an ORECK Authorized Retail Dealer for this product. If you purchase this product from any other source, your purchase is "AS IS," which means ORECK grants you no warranty, and that you, not ORECK, assume the entire risk of the quality and performance of this product, including the entire cost of any necessary servicing or repairs of any defects.

ORECK's liability for damages to you for any costs whatsoever arising out of this statement of limited warranty shall be limited to the amount paid for this product at the time of original purchase, and ORECK shall not be liable for any direct, indirect, consequential or incidental damages arising out of the use or inability to use this product.

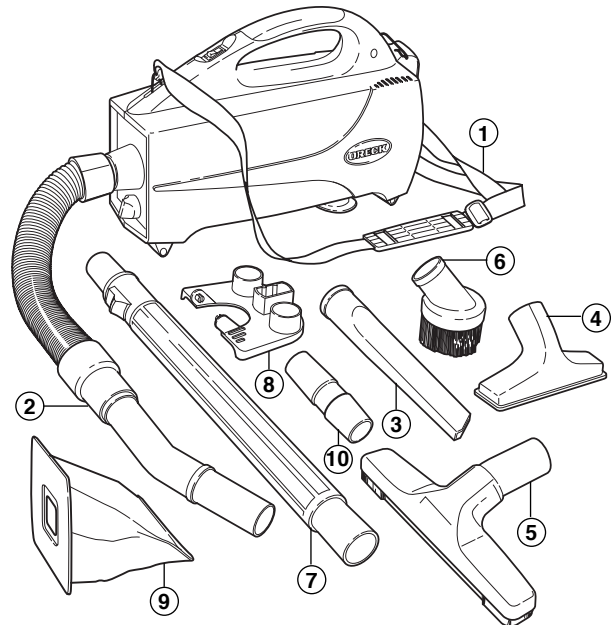
Some states do not allow the exclusion or limitation of incidental or consequential damages, so the above limitation or exclusion may not apply to you.

ALL EXPRESS AND IMPLIED WARRANTIES FOR THIS PRODUCT, INCLUDING IMPLIED WARRANTIES OF MERCHANTABILITY AND FITNESS FOR A PARTICULAR PURPOSE, ARE LIMITED IN DURATION TO THE WARRANTY PERIOD, AND NO WARRANTIES, WHETHER EXPRESS OR IMPLIED, WILL APPLY AFTER THIS PERIOD.

Some states do not allow limitations on the duration of implied warranties, so the above limitation may not apply to you.

This warranty gives you specific legal rights, and you may also have other rights which vary from state to state.

## Parts List



1. Adjustable shoulder strap
2. Long, extendable, flexible hose
3. Crevice tool
4. Upholstery tool
5. Horsehair bare floor and wall tool
6. Horsehair dusting brush
7. Adjustable extension wand
8. On-board tool caddy
9. Paper filter bags
10. Tool adapter tube for fitting tools directly to vacuum when not using hose.
  - HEPA filter (not shown)
  - Scent cartridge (not shown)

## Accessories (Sold Separately)

Replacement Hypo-Allergenic Filter Bags (12 pk. with 1 Micro Filter)	<b>Part No. PKBB12DW</b>
Replacement Micro Filter	<b>Part No. 72005-01</b>
Replacement HEPA Filter	<b>Part No. HF1000</b>
Replacement White Bag Gasket	<b>Part No. 72017-02</b>
Wire Tool Rack	<b>Part No. BBRACK</b>
Vinyl Tool Rack	<b>Part No. CADDYBB</b>
Fresh Air® Scent Cartridges	
Notes of Vanilla® 12pk.	<b>Part No. FA1PK</b>
Spring Mullberries® 12pk.	<b>Part No. FA2PK</b>
Blooming Jasmine® 12pk.	<b>Part No. FA3PK</b>

To order new parts or accessories call:

**US: 1-800-989-3535**  
**Canada: 1-888-676-7325**