

Warranty

ORECK MANUFACTURING COMPANY: (ORECK gives you the following limited warranty for this product only if it was originally purchased for use, not resale, from ORECK or an ORECK Authorized Retail Dealer.)

ORECK will repair or replace, free of charge, to the original purchaser, any part which is found to be defective in material or workmanship within three (3) years of the date of purchase; 10 years on housing. This limited warranty applies to normal domestic use. Any commercial use of this product will void this limited warranty.

Parts subject to normal wear are not covered by this limited warranty.

This limited warranty does not apply to any part subjected to accident, abuse, commercial use, alteration, misuse, damage caused by fire or act of God, the use of voltages other than indicated on the serial number plate of this product or service of this product by other than ORECK or an ORECK Factory Authorized Service Center.

ORECK does not authorize any person or representative to assume or grant any other warranty obligation with the sale of this product.

ORECK's limited warranty is valid only if you retain proof of purchase from ORECK or an ORECK Authorized Retail Dealer for this product. If you purchase this product from any other source, your purchase is "AS IS," which means ORECK grants you no warranty, and that you, not ORECK, assume the entire risk of the quality and performance of this product, including the entire cost of any necessary servicing or repairs of any defects.

ORECK's liability for damages to you for any costs whatsoever arising out of this statement of limited warranty shall be limited to the amount paid for this product at the time of original purchase, and ORECK shall not be liable for any direct, indirect, consequential or incidental damages arising out of the use or inability to use this product.

Some states do not allow the exclusion or limitation of incidental or consequential damages, so the above limitation or exclusion may not apply to you.

ALL EXPRESS AND IMPLIED WARRANTIES FOR THIS PRODUCT, INCLUDING IMPLIED WARRANTIES OF MERCHANTABILITY AND FITNESS FOR A PARTICULAR PURPOSE, ARE LIMITED IN DURATION TO THE WARRANTY PERIOD, AND NO WARRANTIES, WHETHER EXPRESS OR IMPLIED, WILL APPLY AFTER THIS PERIOD.

Some states do not allow limitations on the duration of implied warranties, so the above limitation may not apply to you.

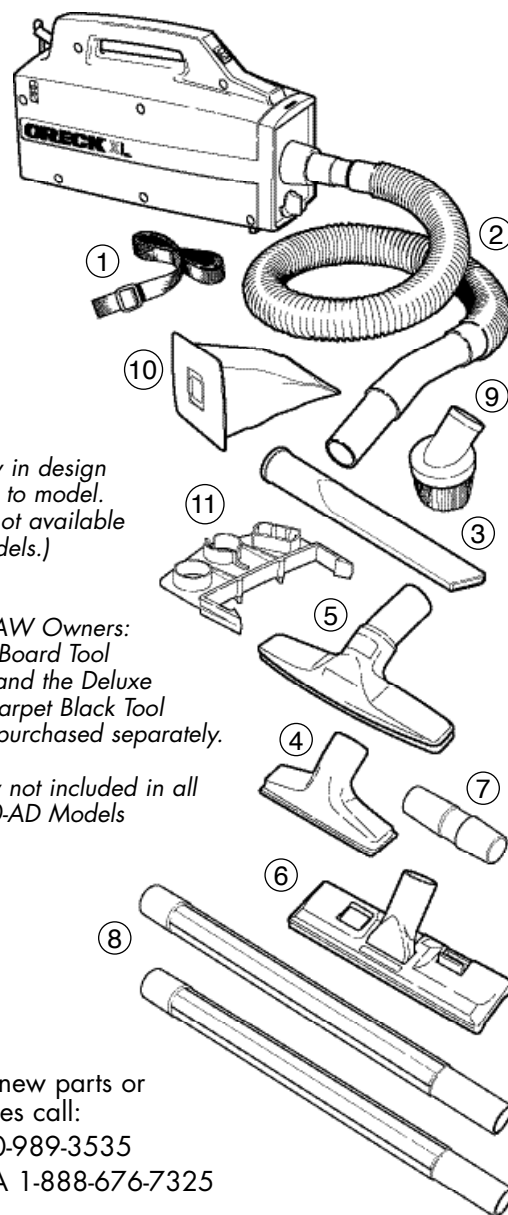
This warranty gives you specific legal rights, and you may also have other rights which vary from state to state.

**CALL CUSTOMER SERVICE HOT LINE
US 1-800-989-3535
CANADA 1-888-676-7325**

Whenever calling, please be sure to have your model and serial number from data plate.

Accessory Parts List

1. Adjustable shoulder strap.
2. Flexible hose with built-in adapter for easy insertion in vacuum or blower port.
3. Crevice tool.
4. Fabric tool.
5. Bare floor and wall tool. BB870AW
6. Deluxe Bare floor and wall tool. BB870AD*
7. Tool adapter tube for fitting tools directly to vacuum when not using hose.
8. Two extension wands.
9. Dusting brush.
10. Two paper filter bags.
11. On Board Tool Caddy. BB870AD**



(Parts vary in design according to model. All parts not available for all models.)

** BB870-AW Owners: The On-Board Tool Caddy and the Deluxe Floor/Carpet Black Tool can be purchased separately.*

*** Caddy not included in all BB870-AD Models*

To order new parts or accessories call:
US 1-800-989-3535
CANADA 1-888-676-7325